

Higher Yields

Up to 30% More Energy ¹
50 °C full power operation ²



Safety&Reliability

RSD Compliance
IP67



Flexible Installation

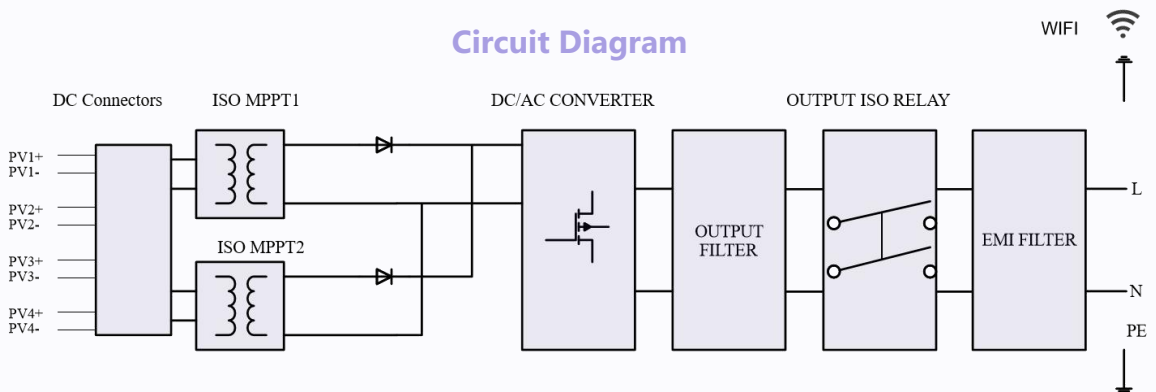
2 hooks designed for
multiple applications



Built-in Wifi

Encrypted Solution
for Balcony & Residential ³

Circuit Diagram



^{*1} In specific scenarios, microinverter system with indepent MPPT and monitoring can obtain up to 30% energy more than string system.

^{*2} Based on lab tests.

^{*3} With Built-in Wifi solution, additional procurement cost & additional installation space will be effectively reduced.

^{*4} Standard 12 years ,up to 25 years.

^{*}Such information in the document is provided for reference purpose only and constitutes neither an offer nor an acceptance. Vaysonic may change the information at any time without notice.

Technical Specifications

VM1600/VM1800/VM2000

Model	VM-1600W -P4-EU			VM-1800W -P4-EU			VM-2000W -P4-EU		
Input Data (DC)									
Commonly used Module Power (W)	320 to 540+			360 to 600+			400 to 670+		
Peak Power MPPT Voltage Range(V)	16-60								
Start-up Voltage (V)	21								
Maximum Input Voltage (V)	65			65			65		
Maximum Input Current (A)	4x13			4x14			4x15		
Maximum Input Short Circuit Current (A)	4x25			4x25			4x25		
Number of MPPTs	4								
Number of Inputs per MPPT	1								
Output Data (AC)									
Rated Output Power (VA)	1600			1800			2000		
Rated Output Current (A)	7.2	6.9	6.6	8.1	7.8	7.5	9.0	8.7	8.3
Maximum Units per 10AWG Branch ²	4	4	4	3	4	4	3	3	3
Nominal Output Voltage/Range (V) ¹	220	230	240	220	230	240	220	230	240
Nominal Frequency/Range (Hz) ¹	50/45-55 or 60/55-65								
Power Factor (adjustable)	0.8 leading...0.8 lagging								
Total Harmonic Distortion	<3%								
Efficiency									
CEC Peak Efficiency	96.8%			96.8%			96.8%		
Nominal MPPT Efficiency	99.80%								
Nighttime Power Consumption (mW)	< 50								
Packing Configuration									
Container	40'HQ / 20'HQ								
Pieces/Pallet	120 / 120								
Pallets per Container	40 / 20								
Pieces per Container	12000 / 6000								
General Data									
Ambient Temperature Range (°C)	-40 to +65								
Dimensions (W x H x D mm)	370 × 320 × 37 (including 2 hooks)								
Weight (kg)	4.6								
Enclosure rating	Outdoor IP67 (NEMA 6)								
Cooling	Natural Convection (no fans)								
Communication	Wifi								
Monitoring	Vaysunic Cloud ³								
Type of Isolation	Galvanically Isolated HF Transformer								
Compliance	IEC/EN 62109-1, IEC/EN 62109-2, IEC/EN 61000-6-1/-2/-3/-4, EN50549-1: 2019, VDE-AR-N 4105: 2018, CEI0-21, TOR Erzeuger, R25: 2019, EN 300 220-1/-2, EN300328,EN301489-1/-3/-17, EN62311, C10/11, PN-EN50549-1: 2019, NC-RfG, ORDINANCE 140_2022								

*1 Nominal voltage/frequency range can vary depending on local requirements.

*2 Refer to local requirements for exact number of microinverters per branch.

*3 Vaysunic Monitoring System.