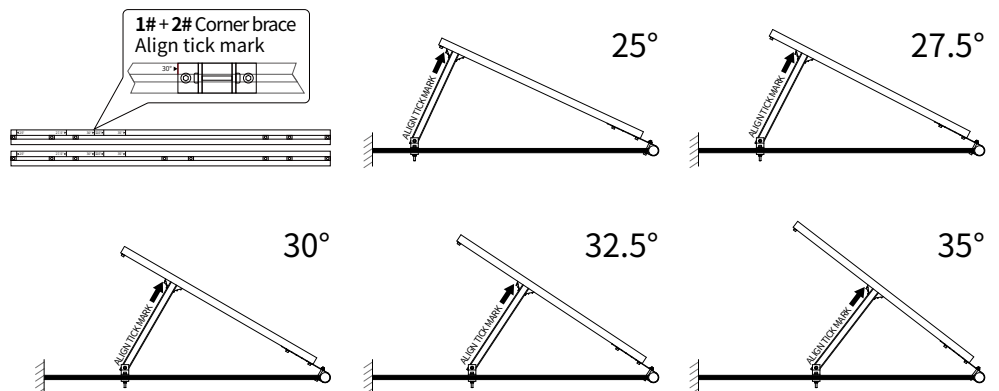


5 **QUICK**
INSTALLATION
VSS-250MR
VSS-500MR

STEPS



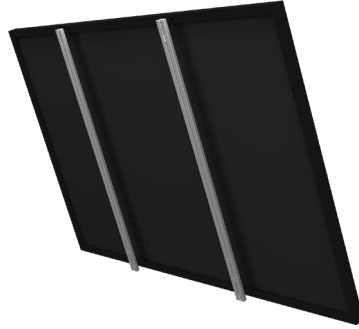
Spare Parts Type:

1#: Section Bar (Installation Microinverter) **2#:** Section Bar **3#:** Long Corner Brace **5#:** Butt Hinge
6#: Hook **7#:** U-bolt **8#:** Bolt M8*16 **9#:** Bolt M8*20 **10#:** Bolt M8*60 **12#:** Bolt M8*80

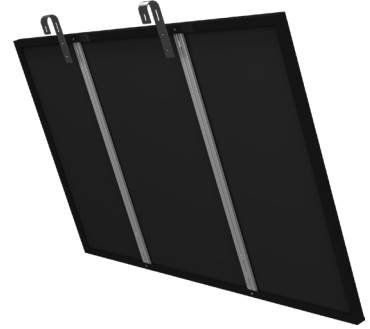
①. Using **1#**+**2#** Spare Parts



②. Placed Inside PV



③. Using **6#** Spare Parts



④. Using **8#** Spare Parts (M8*16)



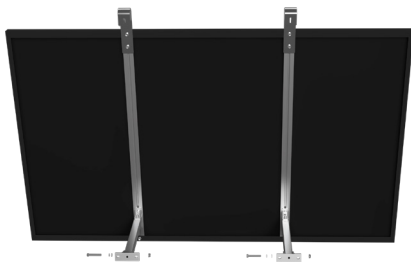
⑤. Tighten bolts to 5 N·m



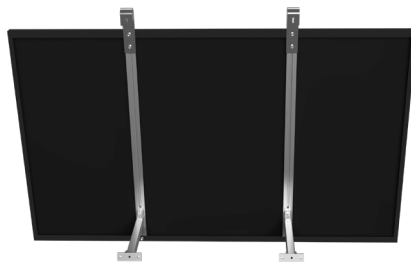
⑥. Using **3#** Spare Parts
Using **8#** Spare Parts (M8*16)



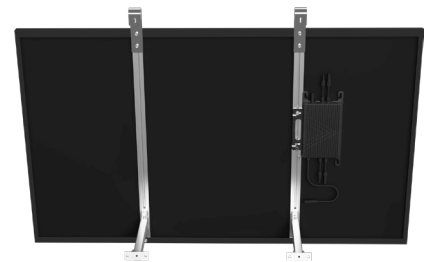
⑦. Using **5#** Spare Parts
Using **10#** Spare Parts (M8*60)



⑧. Tighten bolts to 5 N·m



⑨. Installation Microinverter
Using **9#** Spare Parts (M8*20)



⑩. Using **12#** Spare Parts (M8*80)



⑪. Using **7#** Spare Parts



⑫. Complete Installation

